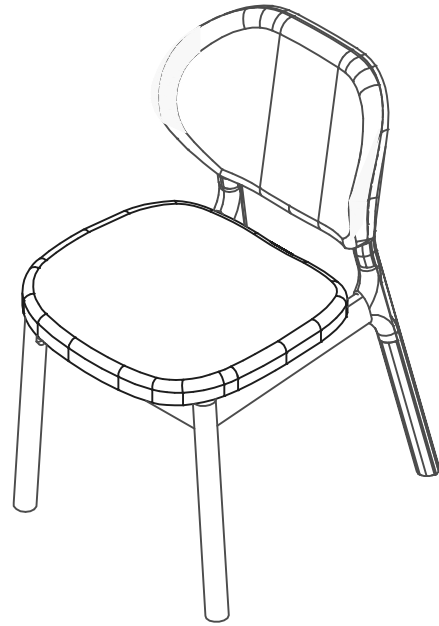


ASSEMBLY INSTRUCTIONS

MODEL : OCKERO DINING CHAIR

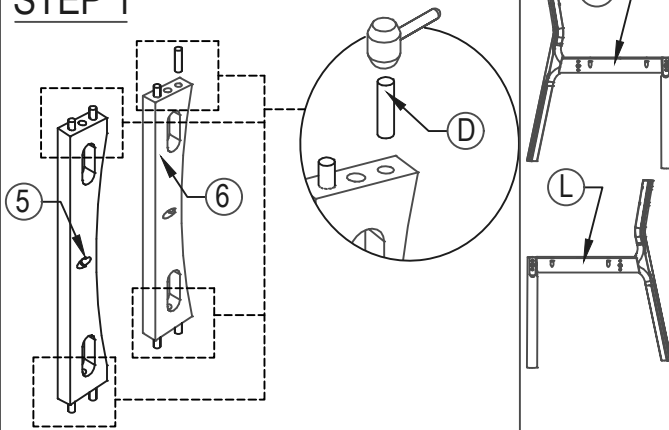
Before you begin, please follow assembly instructions carefully, then follow them step by step.

PART LIST		
1	BACKREST	1 PC
2	RIGHT LEG (R)	1 PC
3	LEFT LEG (L)	1 PC
4	SEATER	1 PC
5	FRONT RAILS	1 PC
6	BACK POSTS	1 PC
HARDWARE		
A	M6 X 40MM JCBC BOLT	8 PCS
B	SPRING WASHER 1/4	8 PCS
C	M4 X 30MM PAN HEAD SCREW	6 PCS
D	M8 X 30MM WOODEN DOWEL	8 PCS
E	M10 X 35MM WOOD DOWEL	2 PCS
F	ALLEN KEY M4	1 PC
G	WOOD BUTTON WB001	4 PCS

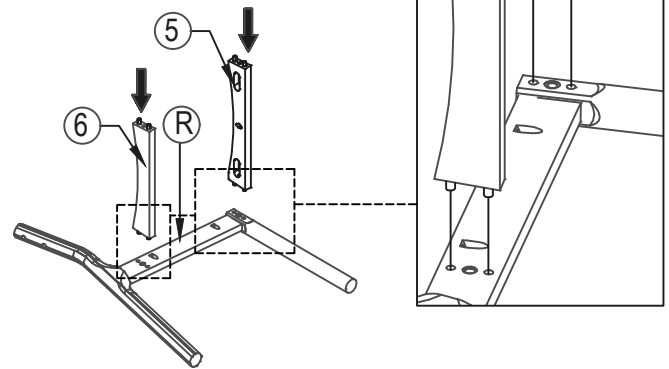


* Do not over tighten the screw, E-nut / d-nut may put out.

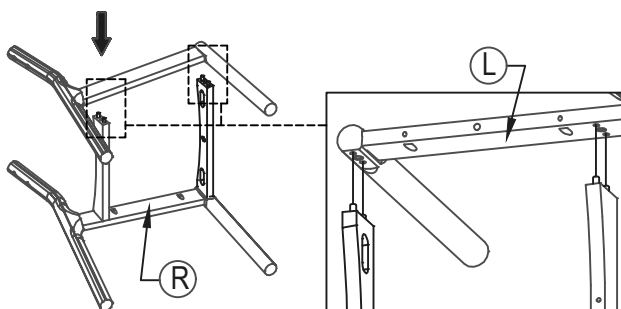
STEP 1



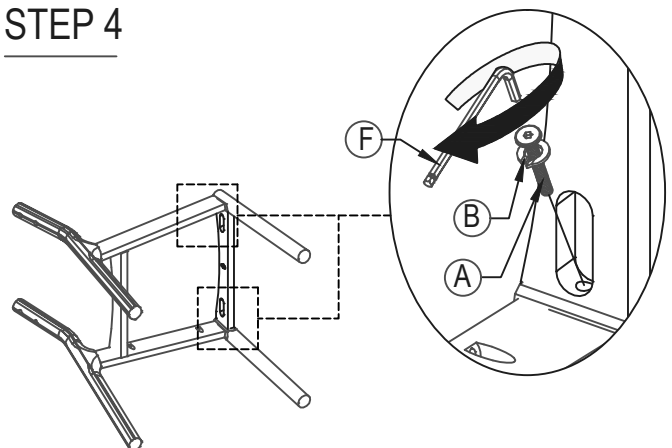
STEP 2



STEP 3



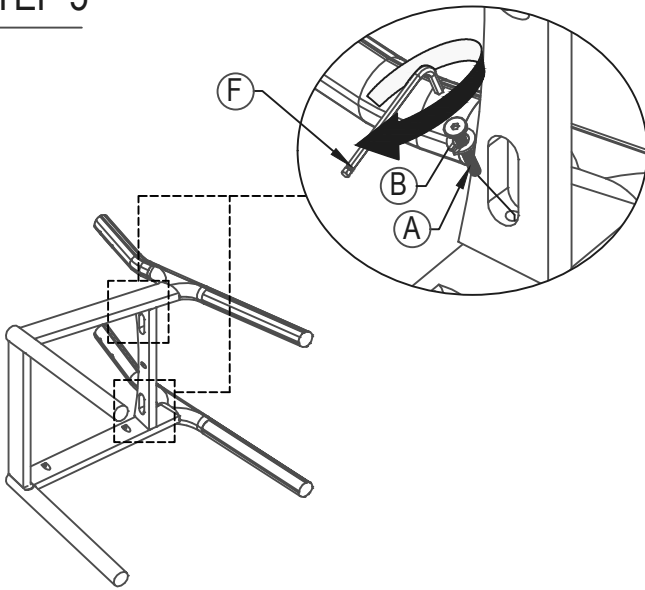
STEP 4



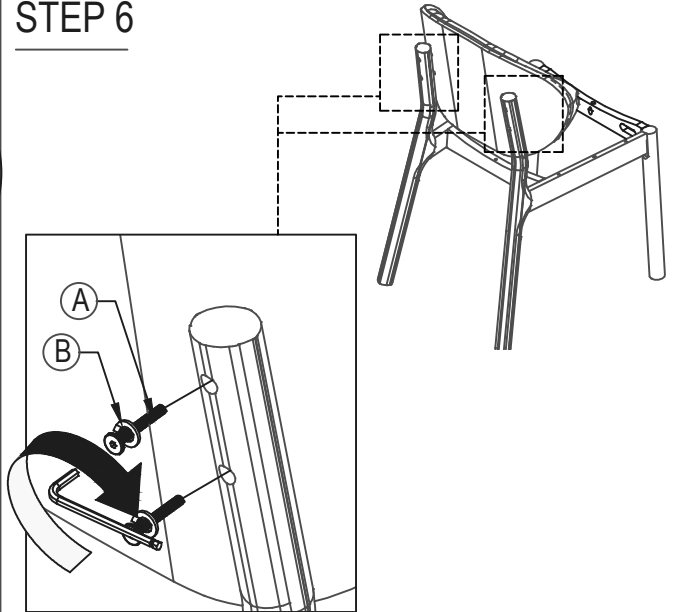
ASSEMBLY INSTRUCTIONS

MODEL : OCKERO DINING CHAIR

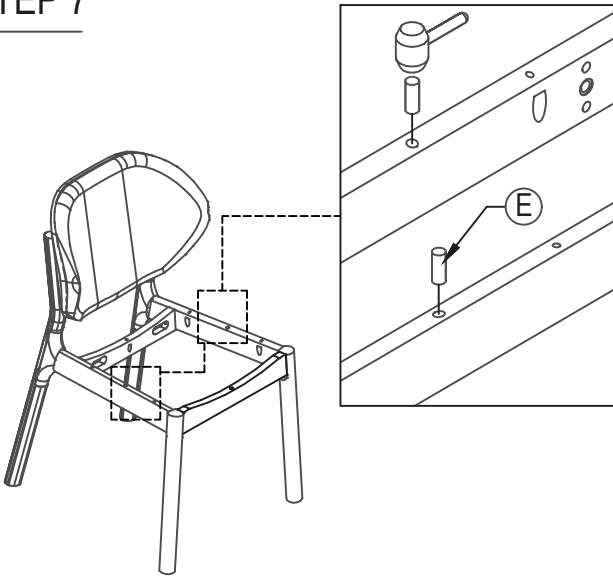
STEP 5



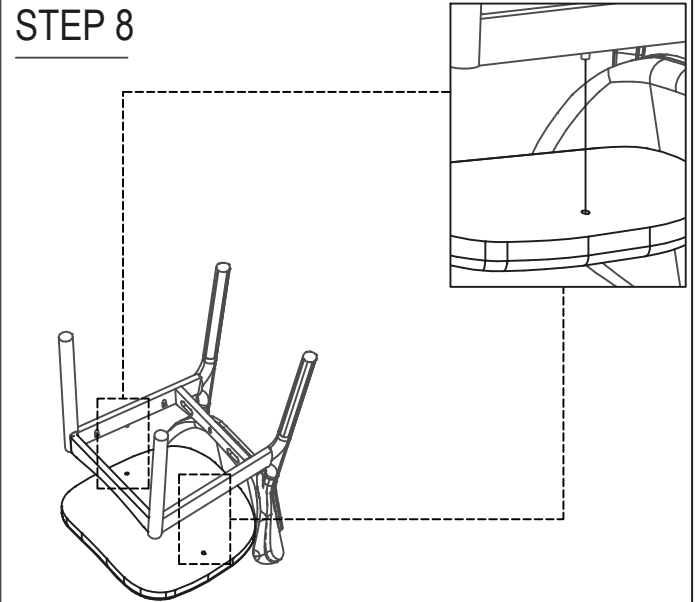
STEP 6



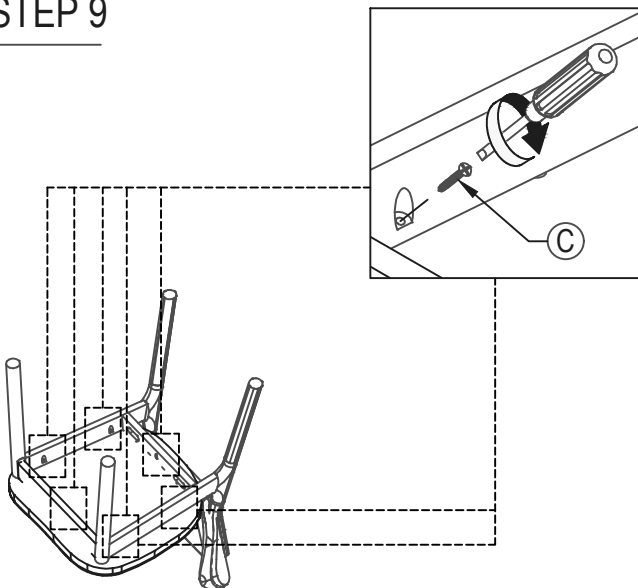
STEP 7



STEP 8



STEP 9



STEP 10

